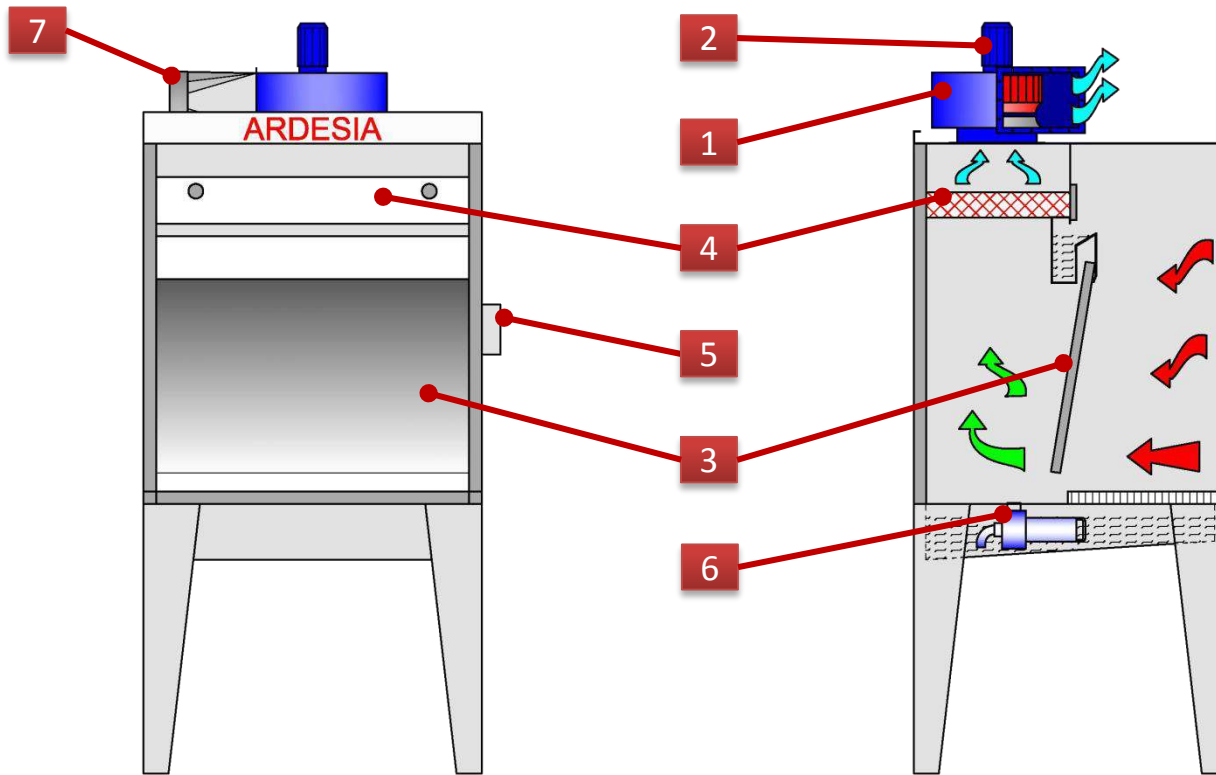




**ACTIVE SOLUTIONS BETWEEN  
INDUSTRY AND AMBIENT**

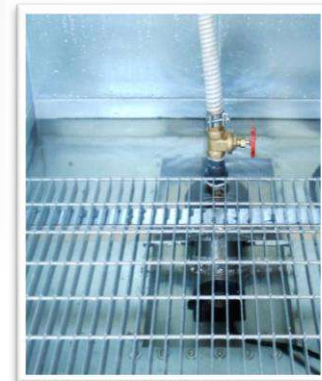
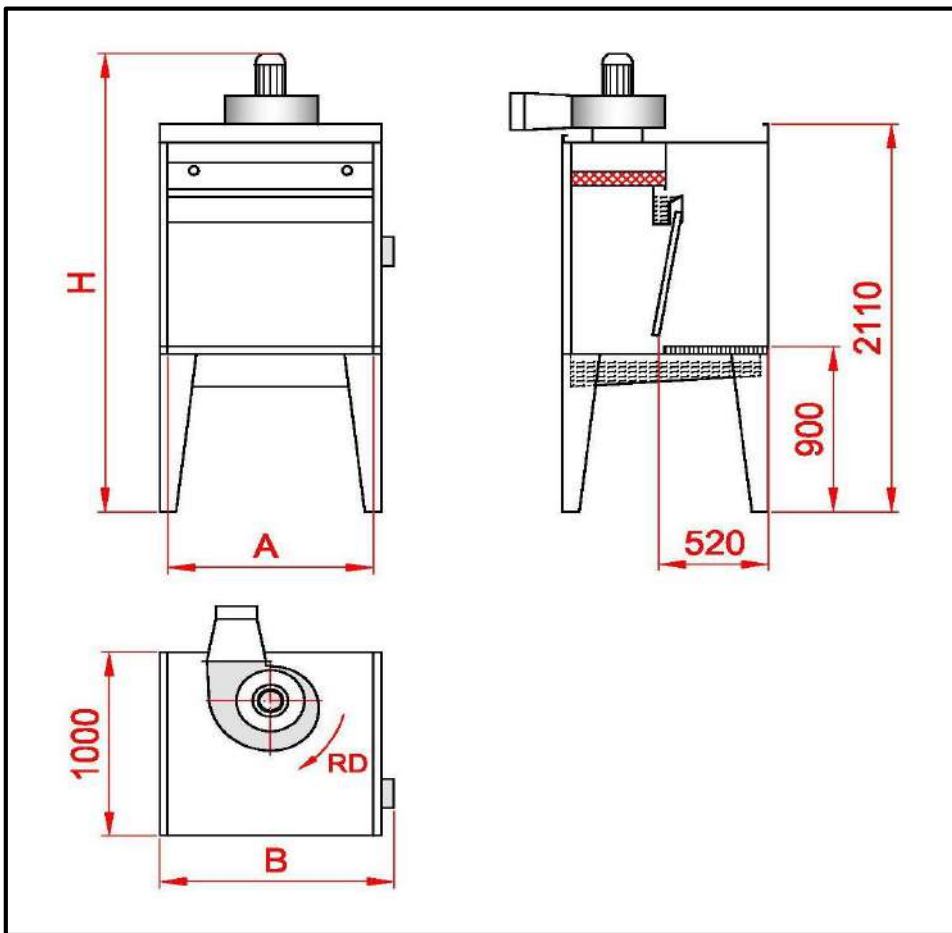
**DESCRIPTION:**

This type of painting booth is suitable for suctioning and demolishing the pigments and fumes emitted from spray painting made with synthetic solvents, organic and water. The removal of the pigments and fumes occurs with a frontal veil of water and with "Paint-Stop" filter. It is used mainly to paint small objects, and for painting test for laboratories. This booth is built with modular panels of galvanized press-folded iron sheet.

**EQUIPMENT:**

1. Antispark centrifugal electrical fan
2. Energy-saving electric motor IE2
3. Frontal zinc plated veil
4. Metallic drawers with "Paint-Stop" filter
5. Wired electrical panel IP 55
6. Stainless steel electrical immersion pump
7. Change section

# MODEL: MINI SINGLE



Model	A Usable width, mm	B Overall width, mm	H Overall height, mm	Diameter outbound tube, mm	Exhaust fan, power, kW	Nominal air flow m <sup>3</sup> / h
MINI SINGLE -1	1000	1190	2600	250	0,55	2000
MINI SINGLE -1.5	1500	1690	2650	250	0,75	3000
MINI SINGLE - 2	2000	2190	2700	300	1,1	4000

## “PAINT-STOP” FILTER IN METALLIC DRAWERS

The filter “Paint Stop” is built with long fibers of glass, finished with synthetic resins and distributed with gradual density in the direction of the air flow. It has good resistance to high temperature and strong capacity of accumulation of dust, it is especially suitable for the collection of surplus paint (overspray). It is used in metal frames.



### TECHNICAL CHARACTERISTICS :

- Product density, gr/m<sup>2</sup> ..... 250
- Thickness, mm. .... 50
- Initial pressure drop, Pa ..... 30
- Maximal operating temperature, °C..... 120
- Arresting gravimetric average, % ..... 87
- Classification (EN 779)..... G3
- Flame(DIN 53438) ..... F1