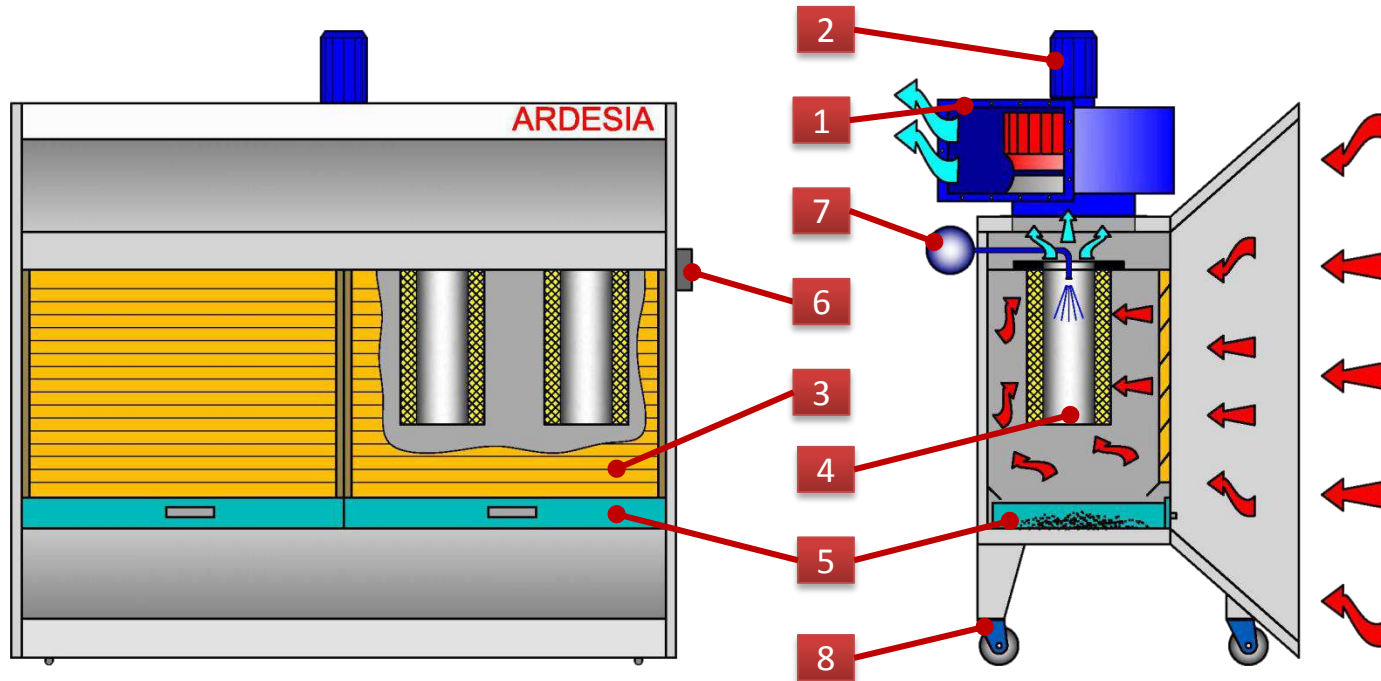




**ACTIVE SOLUTIONS BETWEEN  
INDUSTRY AND AMBIENT**

**ARDESIA SRL** via Prato delle valli 58, 47892 – Aquaviva, Repubblica di San Marino  
Tel: +378.0549 999403 Fax: +39.0541 1811003 info@ardesiarsrl.net [www.ardesiarsrl.net](http://www.ardesiarsrl.net)

The content of this brochure is for illustration and advertising. Ardesia Srl reserves the right to make any necessary change to improve the products.

**DESCRIPTION:**

This type of booth is indicated for the suctioning and removal of dust from sanding. It is built with galvanized press-folded sheet iron. The main feature of this booth is the filtration of dust through aluminized polyester antistatic cartridges. The booth is equipped with a cleaning system of the cartridges with jets of compressed air. The dust is deposited in 2 removable trays.

**EQUIPMENT:**

1. Antispark centrifugal electrical fan
2. Energy-saving electric motor IE2
3. Frontal cardboard inertial filters
4. Aluminized polyester filter
5. Dust collecting drawers
6. Electrical panel IP55
7. Cleaning system of filter with compressed air
8. Wheels

### FILTER CARTRIDGES

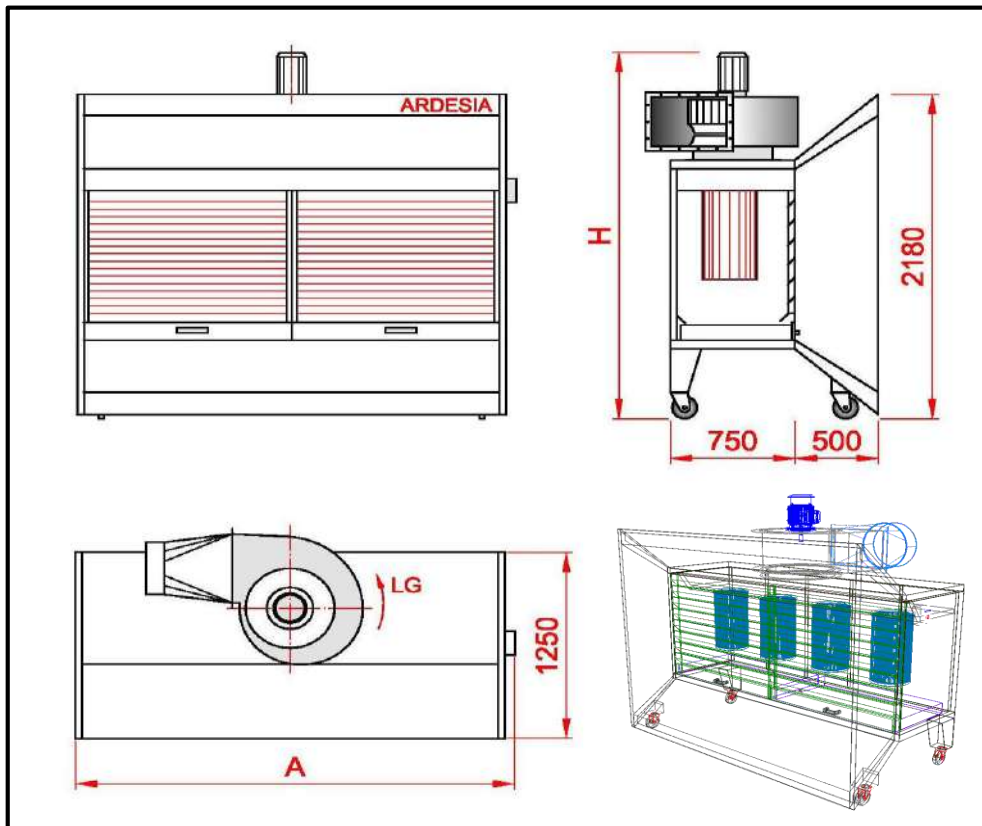


The filter cartridges are made of pleated polyester fabric, with the application of powdered aluminum that ensures the removal of electric charges, created by the dust filter. The issue of dust is less than 0.1%, grain size between 0.2 and 2 microns. The filter cartridge has an excellent resistance to organic solvents, and has a maximal temperature of use in continuous operation of 150 ° C. Its particularly smooth surface allows an optimal detachment of the powder.

#### TECHNICAL CHARACTERISTICS:

Product density, gr/m <sup>2</sup> .....	200
Thickness, mm .....	0,47
Max transverse tensile elongation, % .....	.37
Max longitudinal tensile elongation,% .....	29,6
Permeability, m <sup>3</sup> /m <sup>2</sup> /h .....	920
Pore volume, % .....	68
BIA Classification, .....	.USGC

# MODEL: DUST ROLLER



Model	A Width mm	H Overall height, mm	Quantity & Dimensions (cartridge), mm	Filtered surface (per cartridge), m <sup>2</sup>	Diameter outbound tube, mm	Exhaust fan, power, kW	Nominal air flow m <sup>3</sup> / h
DUST ROLLER – 2	2200	2500	N.4 Ø330 L600mm	39,2	300	1,5	8000
DUST ROLLER – 2.5	2700	2580	N.4 Ø330 L700mm	45,8	350	2,2	11000
DUST ROLLER – 3	3200	2580	N.4 Ø330 L700mm	45,8	350	2,2	11000