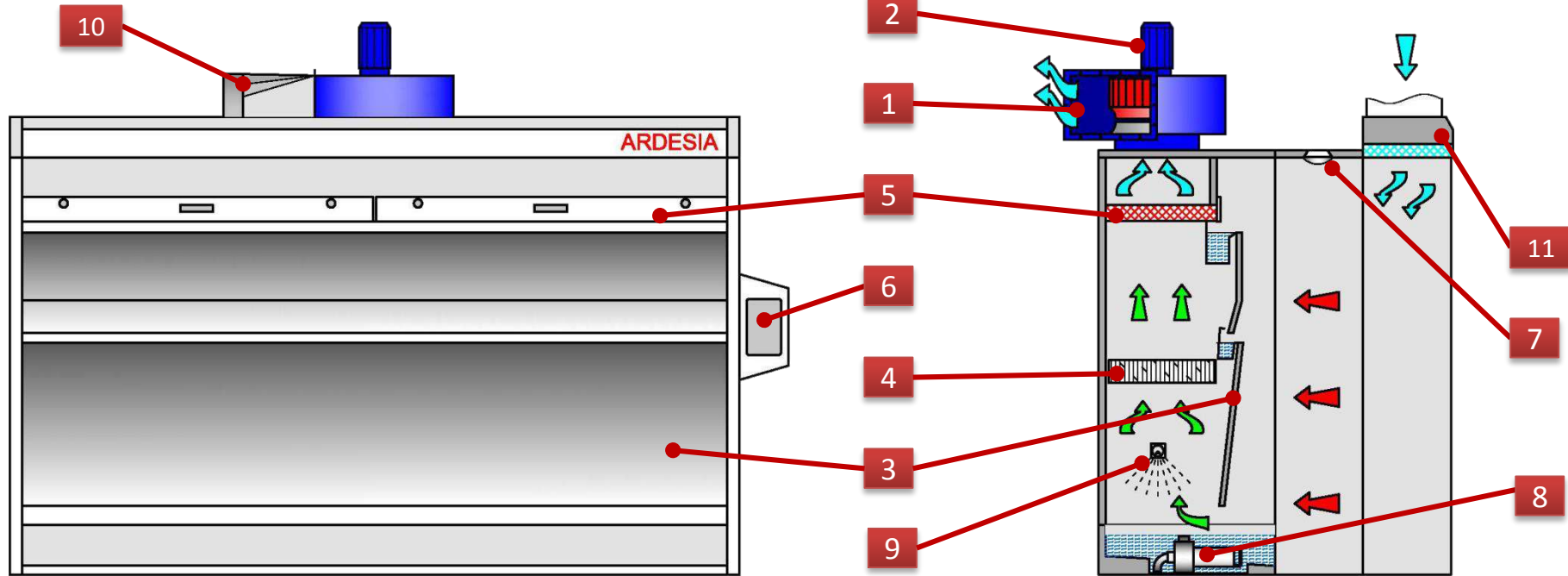




**ACTIVE SOLUTIONS BETWEEN
INDUSTRY AND AMBIENT**

ARDESIA SRL via Prato delle valli 58, 47892 – Aquaviva, Repubblica di San Marino
Tel: +378.0549 999403 Fax: +39.0541 1811003 info@ardesiarsrl.net www.ardesiarsrl.net
The content of this brochure is for illustration and advertising. Ardesia Srl reserves the right to make any necessary change to improve the products.

**DESCRIPTION:**

This water paint booth is suitable for removing the pigments and fumes released by various kinds of spray paint. Pigments and fumes are removed using a double veil of water, rain system and PVC droplet separators, whereas air is filtered by a “paint stop” filter. Its modular structure is made up of press-folded galvanized steel panels. Both sheets are made of galvanized and painted steel. It is possible to open the lower sheet with a gas spring to extract filters for maintenance.

EQUIPMENT:

1. Antispark centrifugal electrical fan
2. Double front sheet for water flow
3. Lower sheet opens with gas springs
4. Rain system
5. PVC droplet separator
6. Metal frames with “Paint-stop” filter
7. Wired electrical panel IP55
8. Wired ceiling light IP66
9. Stainless steel electrical immersion pump
10. Water filter
11. Emergency push-button
12. Hour meter
13. Change section

METALLIC DRAWERS WITH "PAINT-STOP" FILTER



The filter "Paint Stop" is built with long fibers of glass, finished with synthetic resins and distributed with gradual density in the direction of the air flow. It has good resistance to high temperature and strong capacity of accumulation of dust, it is especially suitable for the collection of surplus paint (over-spray). It is used in metal frames.

TECHNICAL CHARACTERISTICS :

Product density, gr/m2	250
Thickness, mm	50
Initial pressure drop, Pa	30
Maximal operating temperature, °C	120
Arresting gravametric average, %	87
Classification (EN 779)	G3
Flame(DIN 53438).....	F1

DROP SEPARATOR

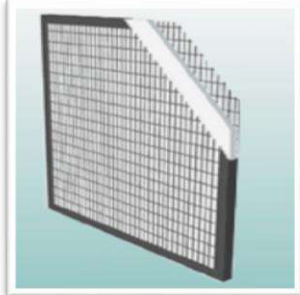


The drop separator H130 has been projected for vertical air flows and for applications with crossed flows, it is made with two directions changing, thanks to assembled pre-printed PVC sheets. The high quality and the color of the PVC, give optimal resistance to inorganic chemical agents.

CARATTERISTICHE TECNICHE:

Thickness, mm	130
Umdulation, mm.....	25
Maximal efficiency, % (spped 3 m/s)	99
Maximal air speed, m/s	4,5
Optimal air speed, m/s.....	3
Maximal operating temperature, °C	60

INTEGRATING AIR INLET FILTER (Optional)



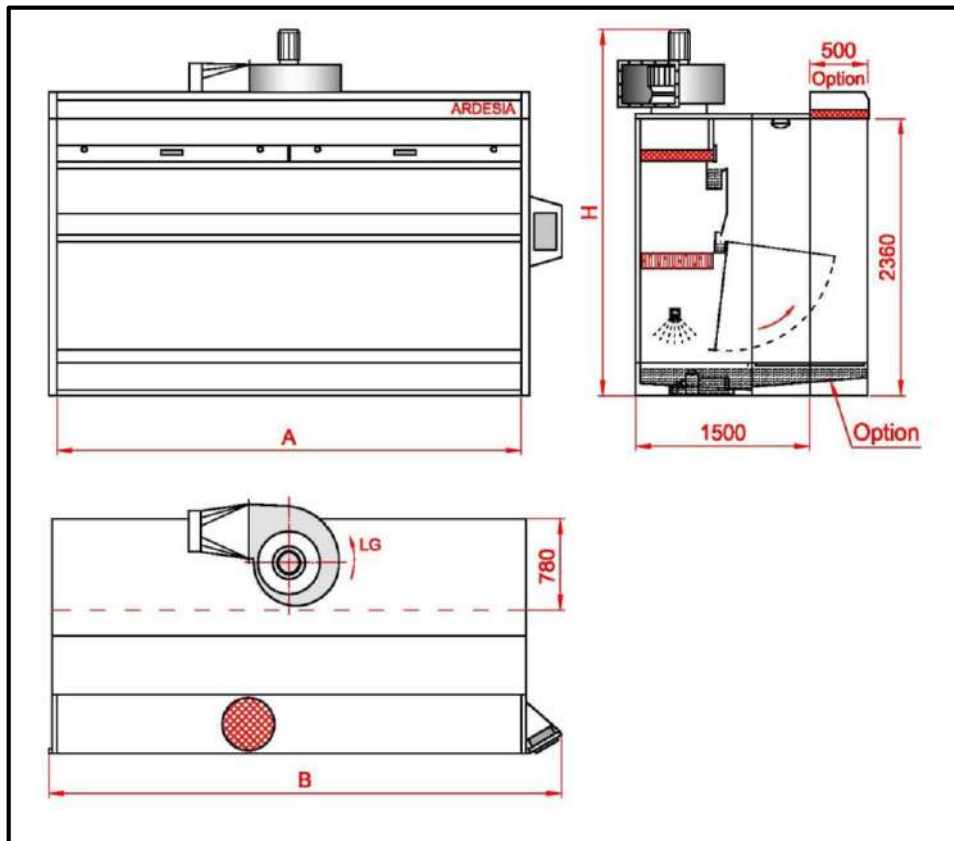
The synthetic filter is used for filtration of dust, it consists on polyester fiber thermal-cross-linked, it has a high capacity to stop powders with low pressure drop.

It is not toxic, unassailable by microorganisms and chemical products.

TECHNICAL CHARACTERISTICS:

Product density, gr/m2	100
Thickness, mm	6 – 9
Initial pressure drop, Pa	15
Maximal operating temperature, °C	100
Arresting gravametric average, %	80
Classification (EN 779)	G2
Flame(DIN 53438).....	F1

MODEL: DOUBLE



Model	A Usable width, mm	B Overall width, mm	H Overall height, mm	Illumination, N x Wt	Exhaust fan, power, kW	Pump, power, kW	Nominal air flow m ³ / h
DOUBLE-2	2000	2450	3180	2 x 58	1,5	0,75	8000
DOUBLE-3	3000	3450	3250	2 x 58	2,2	0,75	11000
DOUBLE-4	4000	4450	3300	2 x 58	4,0	0,75	15000
DOUBLE-5	5000	5450	3250	4 x 58	2,2+2,2	1,1	22000
DOUBLE-6	6000	6450	3250	4 x 58	3,0+3,0	1,1	25000